

Installation of flue pipe

STEP 1

Make a round hole in the roof. The hole should be a few millimetres larger than the diameter of the flue.

STEP 2

Position the clamps in the middle under the hole and screw them down.

STEP 3

Insert the flue through the hole in the clamps. Make sure the flue connects well with the stove's flue.

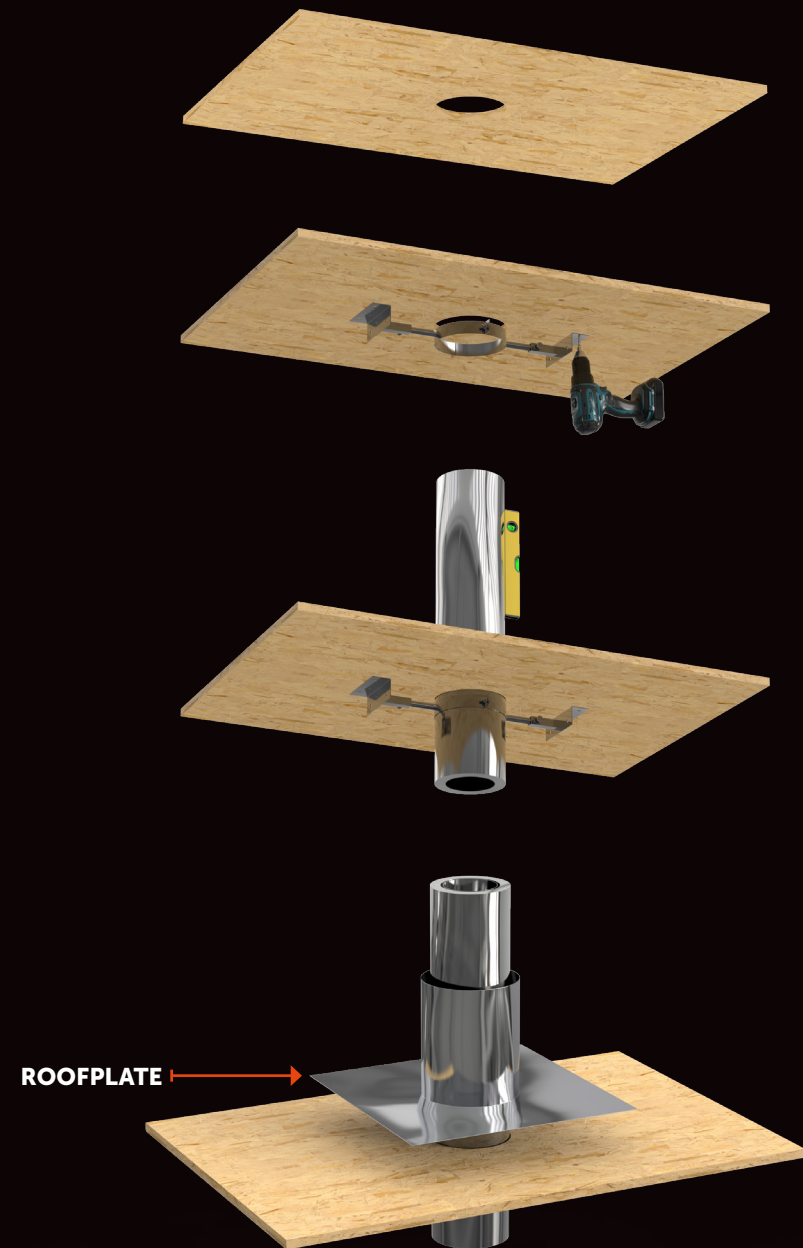
STEP 4

Level the flue pipe and tighten the clamps.

Note! Make sure the ends are 25 cm from combustible material.

STEP 5

Place the roof plate over the flue on the roof.



STEP 6

Ensure a watertight transition from the roof duct to the roof. We do not supply any materials for this.

STEP 7

Place the storm collar over the flue. The storm collar must connect neatly to the roof plate and the flue.

STEP 8

Place the calculation cap with spark arrester, possibly in combination with an extension, on the flue.

